

The silenced rain cap is entirely designed and manufactured by BERSY in Italy; it can eliminate the noise due to a washer shaking on the mufflers exhaust pipe.

The silenced rain cap is entirely made in mild steel, assembled with bushes made of polyamides and fibre glass and with rivets, as well.

The choice of such materials assures highest mechanical resistance to the stress due to an irregular and discontinuous exhausted gas flow.

High resistance features to atmospheric agents result from a particular superficial cataphoresis process, preventing in this way an oxidization forming.

The rain cap is supplied together with M10 fixing bolt.

By request, we can also manufacture rain caps in stainless steel.



Rain caps in stainless steel and mild steel black painted

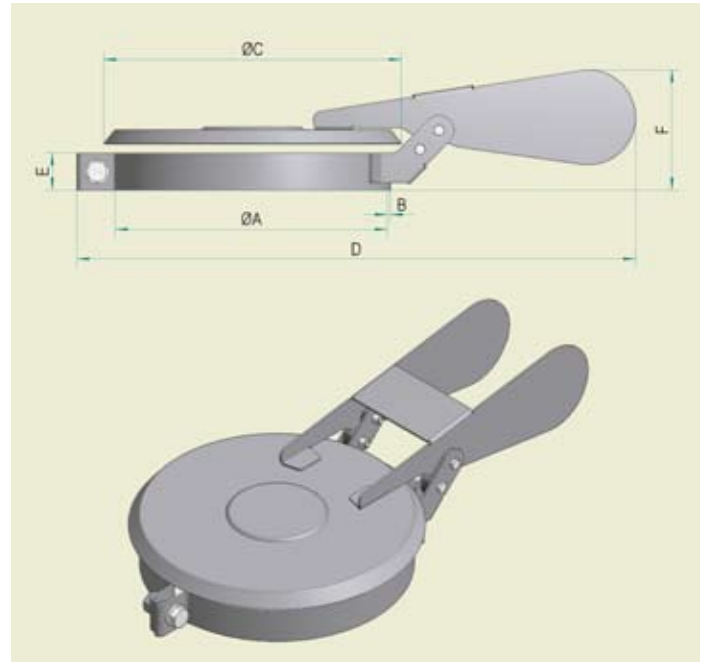
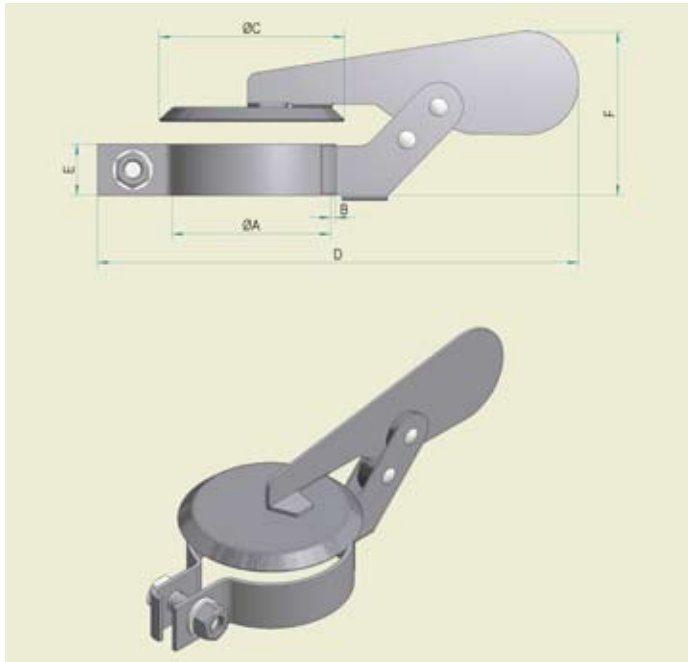


Rain cap application

From a 219 mm diameter to a 457mm diameter, the rain caps are manufactured with double equalizer.

The choice of the rain cap should be made according to the exhaust pipe diameter, which in the table corresponds to the clamp internal diameter, as shown in the "A" column.

For a correct use, it is necessary to lock the strap on the pipe, assuring that the washer is placed at a distance of at least 10 mm from the same.



COD.	ØA	B	ØC	D	E	F
27038	38	2,5	55	194	25	83
27040	40	2,5	55	196	25	83
27043	43	2,5	55	199	25	83
27045	45	2,5	61	201	25	83
27048	48	2,5	61	204	25	83
27050	50	2,5	61	206	25	83
27055	55	2,5	67	211	25	83
27060	60	2,5	75	216	25	83
27065	65	2,5	75	221	25	83
27070	70	2,5	89	226	25	83
27076	76	2,5	89	232	25	83
27080	80	2,5	94	236	30	88
27089	89	2,5	104	245	30	88
27092	92	2,5	119	248	30	88
27103	103	2,5	119	259	30	88
27114	114	2,5	131	270	30	88
27120	120	2,5	131	276	30	88
27127	127	2,5	150	283	30	88
27133	133	2,5	156	376	30	98
27139	139	2,5	156	382	30	98
27150	150	2,5	186	395	30	98
27160	160	2,5	186	403	30	98
27170	170	2,5	186	413	30	98
27180	180	2,5	219	440	30	108
27193	193	2,5	219	453	30	108
27200	200	2,5	219	460	30	108

all dimensions in mm

COD.	ØA	B	ØC	D	E	F
27219	219	2,5	242	462	30	98
27245	245	2,5	265	488	30	98
27250	250	2,5	280	493	30	98
27254	254	2,5	280	497	30	98
27273	273	2,5	295	516	30	98
27277	277	2,5	295	537	30	108
27300	300	2,5	322	560	30	108
27305	305	2,5	328	538	30	91
27323	323	2,5	360	583	30	108
27325	325	2,5	360	585	30	108
27332	332	2,5	360	592	30	108
27355	355	2,5	396	615	30	108
27400	400	2,5	435	730	30	108
27406	406	2,5	435	736	30	108
27457	457	2,5	490	787	30	108

all dimensions in mm